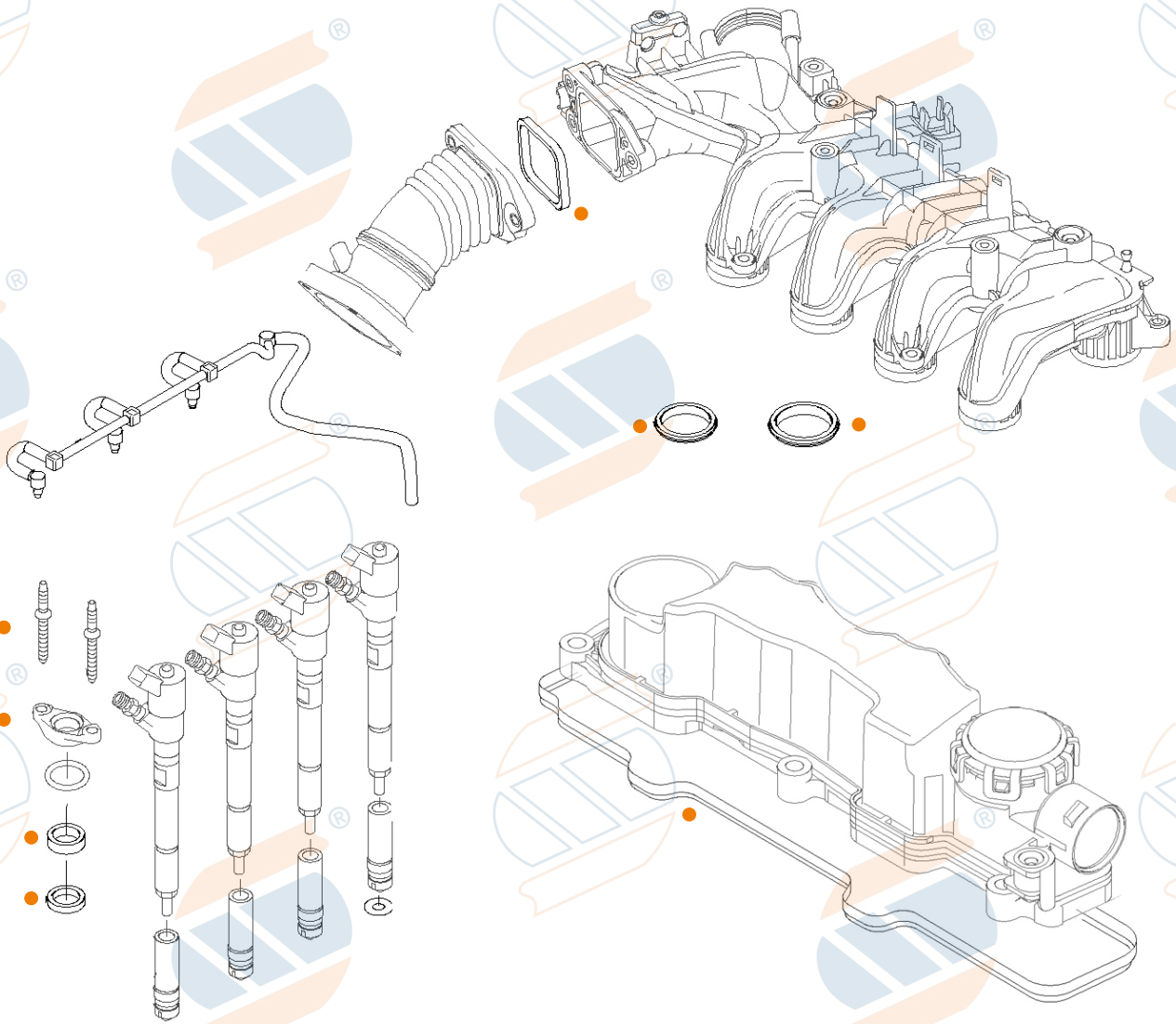


\* UPDATE 26/01/2022



COMMON RAIL & DIESEL INJECTION SPARE PARTS

\*\*DIAGRAM APPLICATION EXAMPLE  
ONLY FOR VIEW



# EXTERNAL GASKETS & FIXING ELEMENTS

## FOR INJECTORS

INCLUDING GASKETS FOR MANIFOLDS & CYLINDER HEADS

FOR **DIESEL** APPLICATION  
& GASOLINE

# INJECTOR'S EXTERNAL - CYLINDER HEADS - MANIFOLDS & SPECIAL "GASKET KITS"

## ESTERNO INIETTORI - TESTATE CILINDRICHE - COLLETTORI & SPECIALI "GASKET KITS"



### ESPLOSO - DIAGRAM

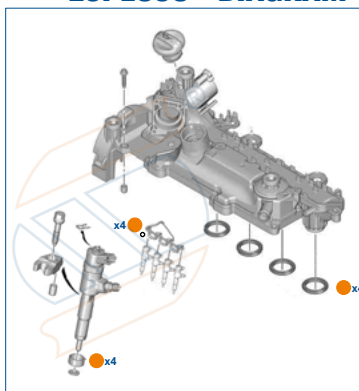
### APPLICATION/ORIGINAL OEMS

Injectors PSA BOSCH  
Engines 1.4 HDi

**RONDELLE BASE INIETTORE H. 1,50**  
**INJECTORS BASE'S WASHERS H. 1,50**

INCLUDE/INCLUDES  
**O-RING PER COLLETTORE**  
**O-RING FOR MANIFOLD**

INCLUDE/INCLUDES  
**(O-RING RACCORDI MONTATI SU TUBO 1574P6)**  
**(O-RING FITTINGS MOUNTED ON HOSE 1574P6)**



### ESPLOSO - DIAGRAM

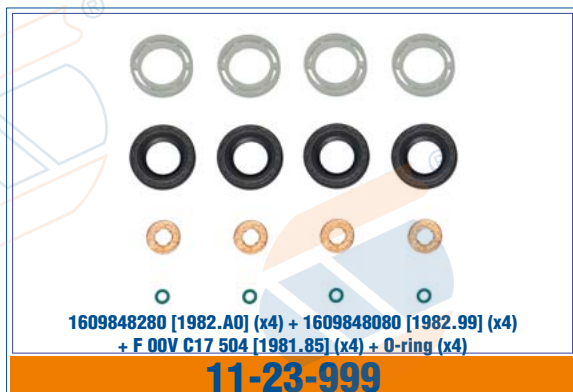
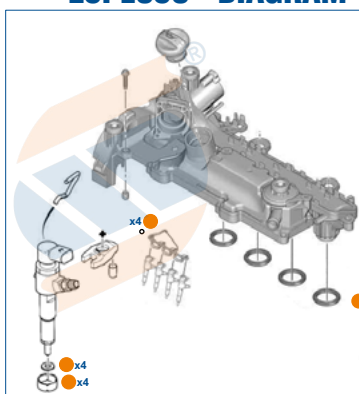
### APPLICATION/ORIGINAL OEMS

Injectors PSA FORD VDO  
Engines 1.4 HDi

**RONDELLE BASE INIETTORE H. 2,50**  
**INJECTORS BASE'S WASHERS H. 2,50**

INCLUDE/INCLUDES  
**O-RING PER COLLETTORE**  
**O-RING FOR MANIFOLD**

INCLUDE/INCLUDES  
**(O-RING RACCORDI MONTATI SU TUBO 1574N8)**  
**(O-RING FITTINGS MOUNTED ON HOSE 1574N8)**

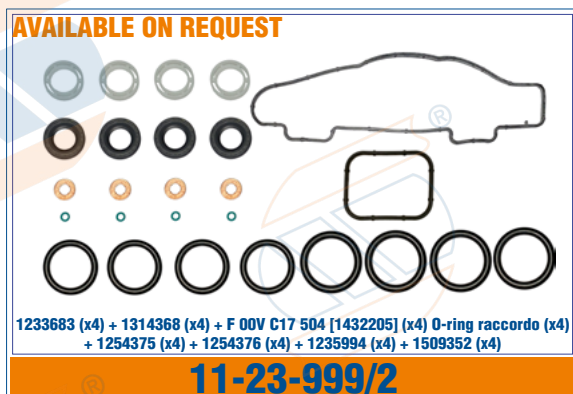
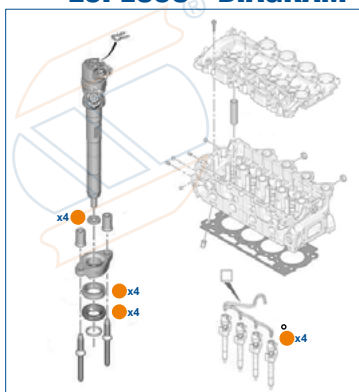


### ESPLOSO - DIAGRAM

### APPLICATION/ORIGINAL OEMS

Injectors FORD PSA BOSCH  
Engines PSA FORD 1.6 TDCi-HDi / DV6

INCLUDE/INCLUDES  
**(O-RING RACCORDI MONTATI SU TUBO 1441256)**  
**(O-RING FITTINGS MOUNTED ON HOSE 1441256)**



### ESPLOSO - DIAGRAM

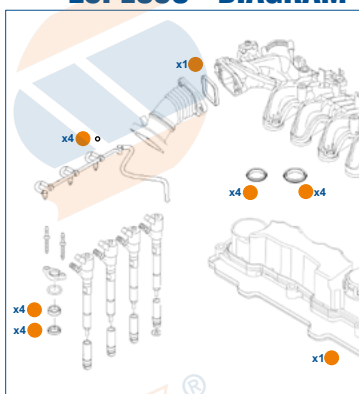
### APPLICATION/ORIGINAL OEMS

Injectors FORD (PSA - BOSCH)  
Engines 1.6 TDCi / DV6

**+ Guarnizione coperchio cilindro**  
**(Cylinder cover gasket)**

**+ O-rings e Guarnizione**  
**collettore di ammissione**  
**(O-rings and manifold gasket)**

INCLUDE/INCLUDES  
**(O-RING RACCORDI MONTATI SU TUBO 1441256)**  
**(O-RING FITTINGS MOUNTED ON HOSE 1441256)**

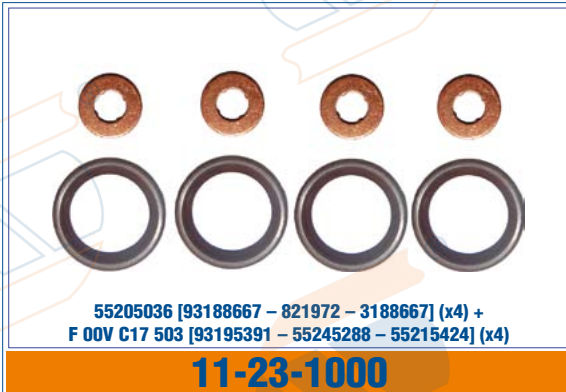


**INJECTOR'S EXTERNAL - CYLINDER HEADS - MANIFOLDS & SPECIAL "GASKET KITS"**  
**ESTERNO INIETTORI - TESTATE CILINDRICHE - COLLETTORI & SPECIALI "GASKET KITS"**



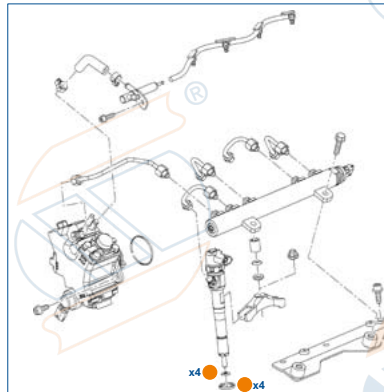
**ESPLOSO - DIAGRAM**

**APPLICATION/ORIGINAL OEMS**



55205036 [93188667 - 821972 - 3188667] (x4) +  
 F 00V C17 503 [93195391 - 55245288 - 55215424] (x4)

**11-23-1000**



Injectors OPEL BOSCH FIAT  
 (Like-Come) 0 445 110 326 / 0 986 435 200  
 93195390 / 95517501 / 55564218

Engines FIAT-OPEL 1.3  
 JTD / TDCi / CDTi / DDIS

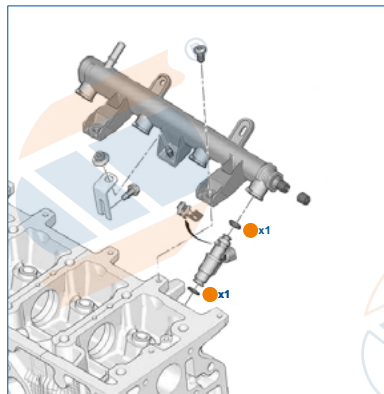
ALFA ROMEO MITO 1.3 2008-  
 FIAT 500 1.3 JTDm 2007-2012  
 FIAT FIORINO 1.3 JTDm 2007-PRESENT  
 FIAT GRANDE PUNTO 1.3 JTDm 2008-2011  
 FIAT IDEA 1.3 JTDm 2004-2010  
 FIAT PANDA 1.3 JTD 2003-2010  
 FIAT STRADA 1.3 JTD 2005-2011  
 LANCIA YPSILON 1.3 JTD 2003-2006  
 OPEL AGILA 1.3 CDTi 2003-2008  
 OPEL CORSA 1.3 CDTi 2003-2006  
 OPEL MERIVA 1.3 CDTi 2003-2010  
 ETC..

**ESPLOSO - DIAGRAM**

**APPLICATION/ORIGINAL OEMS**



**11-23-1003**



Peugeot Citroen  
 Original OEM 1981.47

"GASOLINE ENGINES"  
 "MOTORI BENZINA"

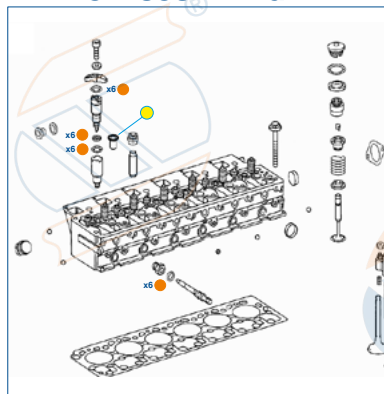
**ESPLOSO - DIAGRAM**

**APPLICATION/ORIGINAL OEMS**



A5419970745 (x4) + A5419970545(x4) + A5419970645 (x4)  
 A9060170260 [2 430 105 049] (x4)

**11-23-1004**



Engines Mercedes Atego

per nr. Motori fino a 056812  
 for engines until nr. 056812

Codici Motore OM 906 / OM 926  
 Engines OEM OM 906 / OM 926

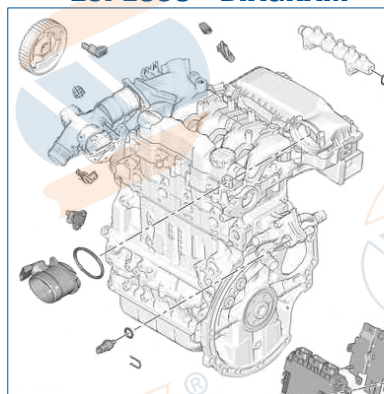
● NON INCLUSO, RICHIEDERE SEPARATAMENTE  
 ● NOT INCLUDED, ASK SEPARATELY  
 Parafiamma / Heatshield = 02-09-091  
 A9060170560=A9060170760= A9060170860

**ESPLOSO - DIAGRAM**

**APPLICATION/ORIGINAL OEMS**



**11-23-1005**



Original OEM  
 Peugeot Citroen 1920.TG  
 Fiat 9467645689

Engines  
 CITROEN PEUGEOT FIAT 1.6 Hdi

Montaggio tra pompa di alimentazione  
 e sensore di pressione carburante  
 Mounting between feed pump  
 and fuel pressure sensor

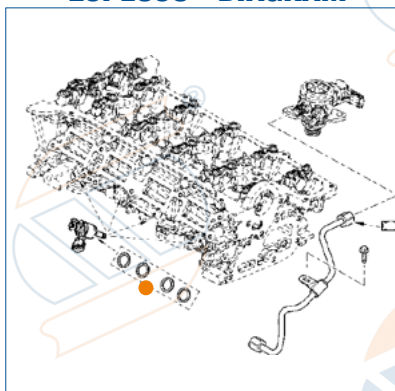
# INJECTOR'S EXTERNAL - CYLINDER HEADS - MANIFOLDS & SPECIAL "GASKET KITS"

## ESTERNO INIETTORI - TESTATE CILINDRICHE - COLLETTORI & SPECIALI "GASKET KITS"



**11-10-001**

### ESPLOSO - DIAGRAM



### APPLICATION/ORIGINAL OEMS

COD. ORIGINALI  
Renault 16 61 894 80R  
Mercedes 200 017 00 00  
Nissan 16408-00QAA

Engines  
DACIA HSF 402/404/408/410

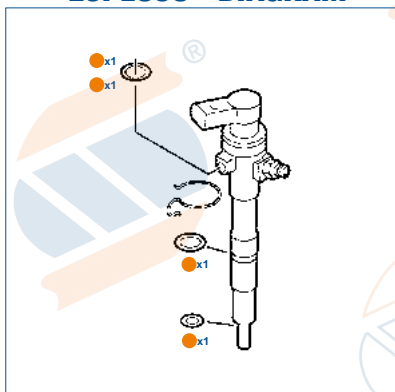
"GASOLINE ENGINES"  
"MOTORI BENZINA"



03L 130 235T [WHT 005 301] (x1) + 03L 130 235 AG [WHT 006 492] (x1) +  
WHT 000 884 (x1) + 03L 130 519 [A2C59516873] (x1)

**11-10-002**

### ESPLOSO - DIAGRAM



### APPLICATION/ORIGINAL OEMS

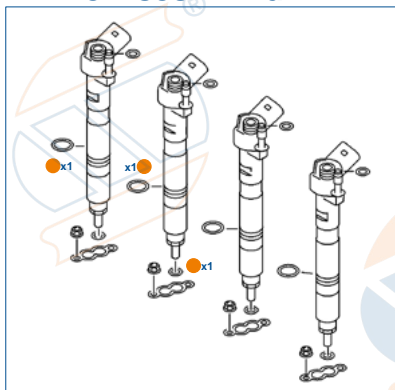
Injectors Siemens VDO  
A2C59513554  
03L 130 277B  
03L 130 277S  
ETC...



059 130 119 [WHT 007 480] (x1) + WHT 000 884 (x1) +  
F 00V P01 004 [suitable for 059 130 519] (x1)

**11-10-003**

### ESPLOSO - DIAGRAM



### APPLICATION/ORIGINAL OEMS

Injectors Bosch Piezo Audi VW

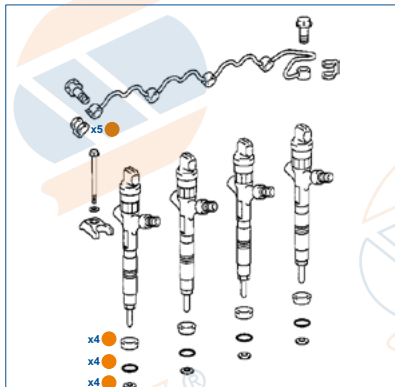
03L 130 277 - 03L 130 277A - 03L 130 277C  
057 130 277AH - 057 130 277AK - 059 130 277AJ  
059 130 277BB - 059 130 277BD - 059 130 277BE  
0 445 116 029 - 0 445 116 010 - 0 445 116 034  
0 445 117 002 - 0 445 115 085 - 0 986 435 388  
0 445 115 080 - 0 445 115 078 - 0 445 118 022



23256-27010 (x4) + 90904-30008 (x5) + 96721-19017 (x4) + 11176-27010 (x4)  
thickness(3.5mm)

**11-10-004**

### ESPLOSO - DIAGRAM



### APPLICATION/ORIGINAL OEMS

Injectors DENSO - TOYOTA  
Engines 2.0 D-4D

AVENSIS / COROLLA

Solo per iniettori con:/ Only for injectors with:  
Rondella Base Iniettore spessore 3.5mm  
Heatshield thickness 3.5mm

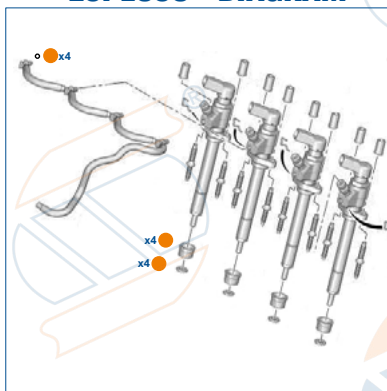
# INJECTOR'S EXTERNAL - CYLINDER HEADS - MANIFOLDS & SPECIAL "GASKET KITS"

## ESTERNO INIETTORI - TESTATE CILINDRICHE - COLLETTORI & SPECIALI "GASKET KITS"



### ESPLOSO - DIAGRAM

### APPLICATION/ORIGINAL OEMS



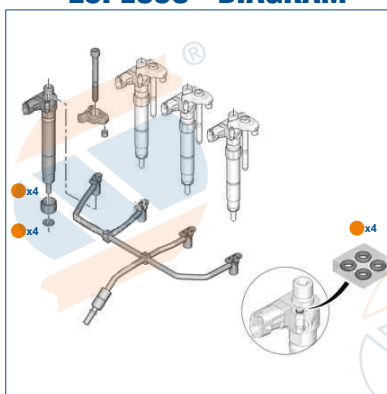
Injectors PEUGEOT CITROEN FIAT  
Engines PSA 2.0 / 2.2 HDi DW10 - DW12

FIAT SCUDO 2.0 JTD 2002-2006  
FIAT SCUDO 2.0 D 2007-  
FIAT ULYSSE 2.2 JTD 2002-2006  
ETC...

INCLUDE/INCLUDES  
(O-RING RACCORDI MONTATI SU TUBO 157468/1574HL)  
(O-RING FITTINGS MOUNTED ON HOSE 157468/1574HL)

### ESPLOSO - DIAGRAM

### APPLICATION/ORIGINAL OEMS

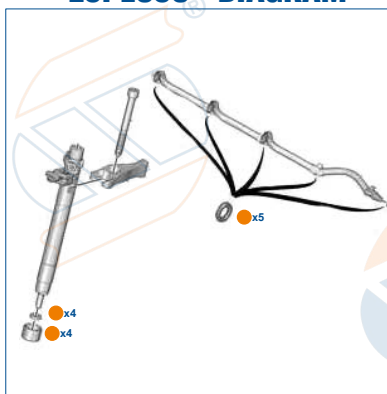


Injectors PSA BOSCH (Piezo)  
Engines 2.0 / 2.2 HDi

INCLUDE/INCLUDES  
(O-RING RACCORDI MONTATI SU TUBO 1574K8)  
(O-RING FITTINGS MOUNTED ON HOSE 1574K8)

### ESPLOSO - DIAGRAM

### APPLICATION/ORIGINAL OEMS

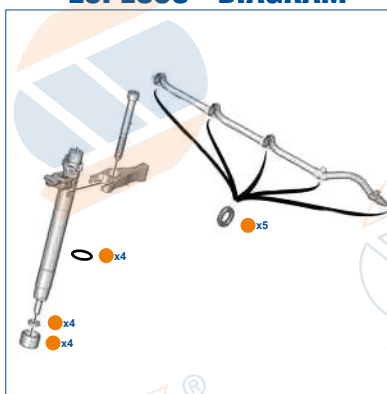


Injectors PSA DELPHI  
Engines 2.0 HDi DW10

INCLUDE/INCLUDES  
(O-RING RACCORDI MONTATI SU TUBO 1574AJ)  
(O-RING FITTINGS MOUNTED ON HOSE 1574AJ)

### ESPLOSO - DIAGRAM

### APPLICATION/ORIGINAL OEMS



Injectors PSA DELPHI  
Engines 2.0 HDi DW10

+ O-ring tenuta esterna  
(+ External seal o-ring)

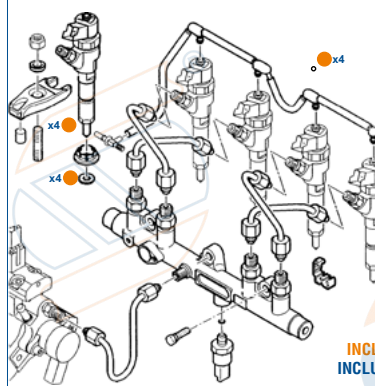
INCLUDE/INCLUDES  
(O-RING RACCORDI MONTATI SU TUBO 1574AJ)  
(O-RING FITTINGS MOUNTED ON HOSE 1574AJ)

# INJECTOR'S EXTERNAL - CYLINDER HEADS - MANIFOLDS & SPECIAL "GASKET KITS"

## ESTERNO INIETTORI - TESTATE CILINDRICHE - COLLETTORI & SPECIALI "GASKET KITS"



### ESPLOSO - DIAGRAM



### APPLICATION/ORIGINAL OEMS

Injectors FIAT PSA BOSCH  
Engines PSA-FIAT  
1.9 / 2.0 JTD-HDi  
DW10TD / DW10BTD / DW10TED

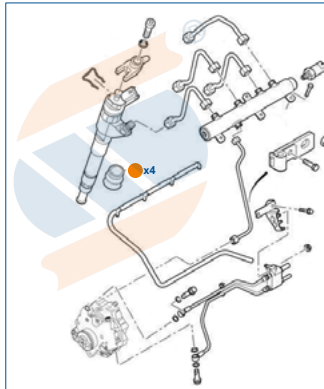
Peugeot Relay / Boxer / 206 / 307 / 406 / 607 / 806  
Citroen Jumper / Jumpy / Xsara II 1.4 / Xantia / C5

FIAT - PE DUCATO '94 DIESEL 2.0 JTD (1994-2002)  
FIAT - DUCATO RESTYLE DIESEL 2.0 JTD (2001-2006)  
FIAT - SCUDO " 2.0 JTD (2004-2006)  
FIAT - DOBLO' " 1.9 JTD CF3 (2000-2004)  
LANCIA - SK "Z" 2.0 JTD (1994-2002) (2004-2006)  
ETC...

INCLUDE (O-RING RACCORDI MONTATI SU TUBO 157468/1574HL)  
INCLUDES (O-RING FITTINGS MOUNTED ON HOSE 157468/1574HL)



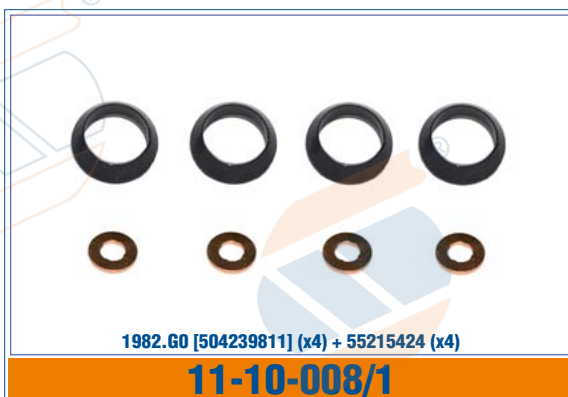
### ESPLOSO - DIAGRAM



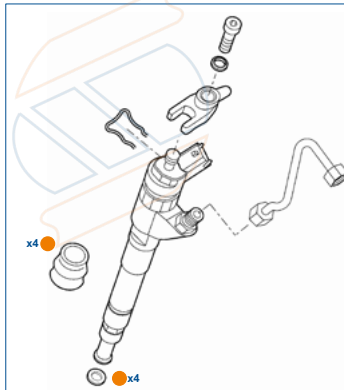
### APPLICATION/ORIGINAL OEMS

Injectors FIAT PSA BOSCH

Engines  
PEUGEOT BOXER 3.0 HDi  
CITROEN JUMPER/RELAY 3.0 HDi  
FIAT DUCATO 2.3D / 3.0D  
IVECO DAILY III / IV 2.3D / 3.0D  
UAZ PATRIOT 2.3D  
ETC..



### ESPLOSO - DIAGRAM

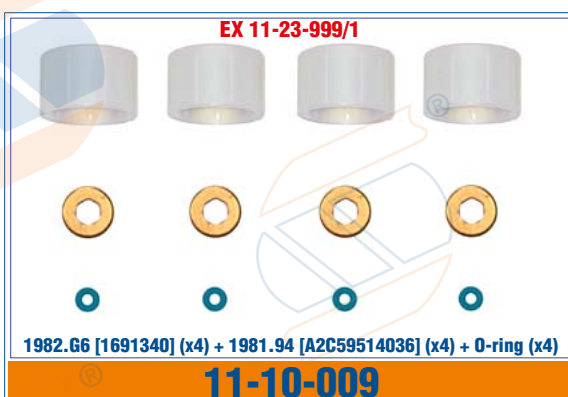


### APPLICATION/ORIGINAL OEMS

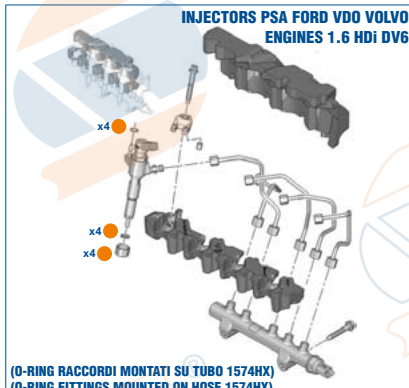
Injectors FIAT PSA BOSCH

Engines  
PEUGEOT BOXER 3.0 HDi  
CITROEN JUMPER/RELAY 3.0 HDi  
FIAT DUCATO 2.3D / 3.0D  
IVECO DAILY III / IV 2.3D / 3.0D  
UAZ PATRIOT 2.3D  
ETC..

(Rondella solo per iniettori più recenti)  
(base washer only for newer injectors)



### ESPLOSO - DIAGRAM



### APPLICATION/ORIGINAL OEMS

|  |   |
|--|---|
| CITROËN BERLINGO (R9)<br>1.6 HDI (2010-)<br>CITROËN C3 II/PICASSO<br>1.6 HDI (2010-)<br>CITROËN C4<br>1.6 HDI (2012-)<br>CITROËN C5 III<br>1.6 HDI (2010-)<br>CITROËN DS3<br>1.6 HDI (2009-2015)<br>CITROËN DS5<br>1.6 HDI (2011-2015) | PEUGEOT 308 I - II - SW - SWII<br>1.6 HDI (2009-)<br>PEUGEOT 508 I - SW - SWII<br>1.6 HDI (2010-2018)<br>PEUGEOT 3008 MPV 1.6 HDI<br>(2009-2016)<br>PEUGEOT 4008<br>1.6 HDI (2012-)<br>PEUGEOT 5008<br>1.6 HDI (2010-2017)<br>PEUGEOT PARTNER<br>1.6 HDI (2010-)  |
| FORD C-MAX II<br>1.6 TDCI (2010-)<br>FORD FOCUS III<br>1.6 TDCI (2010-)<br>FORD MONDEO IV<br>1.6 TDCI (2010-2015)<br>FORD TOURNEO CONNECT<br>1.6 TDCI (2013-)<br>FORD TRANSIT CONNECT<br>1.6 TDCI (2013-)                              | VOLVO C30<br>1.6 D2 (2010-2012)<br>VOLVO S40 II<br>1.6 D2 (2010-2012)<br>VOLVO S60 II<br>1.6 D2 (2011-2015)<br>VOLVO S80 II<br>1.6 D2 (2011-2013)<br>VOLVO V40 D2<br>1.6 D2 (2012-)<br>VOLVO V50 D2<br>1.6 D2 (2010-2012)<br>VOLVO V60 II<br>1.6 DRIVE (2011-2015)<br>VOLVO V70 III<br>1.6 DRIVE / D2 (2011-2015) |



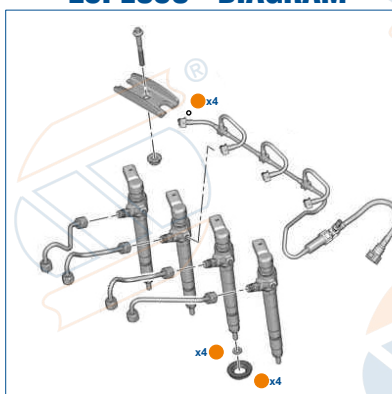
# INJECTOR'S EXTERNAL - CYLINDER HEADS - MANIFOLDS & SPECIAL "GASKET KITS"

## ESTERNO INIETTORI - TESTATE CILINDRICHE - COLLETTORI & SPECIALI "GASKET KITS"



### ESPLOSO - DIAGRAM

### APPLICATION/ORIGINAL OEMS



Injectors PSA FORD

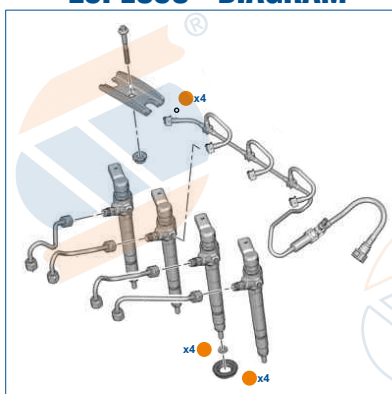
Example:  
PSA 9801125480  
FORD 1746967  
VDO A2C59514036

Engines  
Ford 2.2 HDi 110 PUMA C  
Ford 2.2 HDi 150 PUMA C  
ETC..



### ESPLOSO - DIAGRAM

### APPLICATION/ORIGINAL OEMS



Injectors PSA FORD

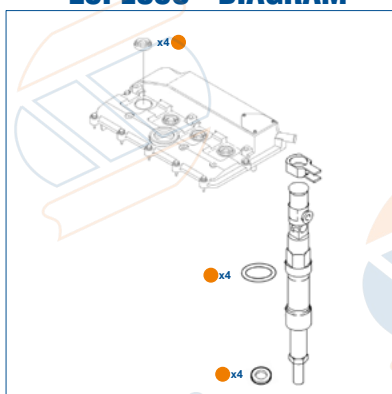
Example:  
PSA 9801125480  
FORD 1746967  
VDO A2C59514036

Engines  
Ford 2.2 HDi 110 PUMA C  
Ford 2.2 HDi 150 PUMA C  
ETC..



### ESPLOSO - DIAGRAM

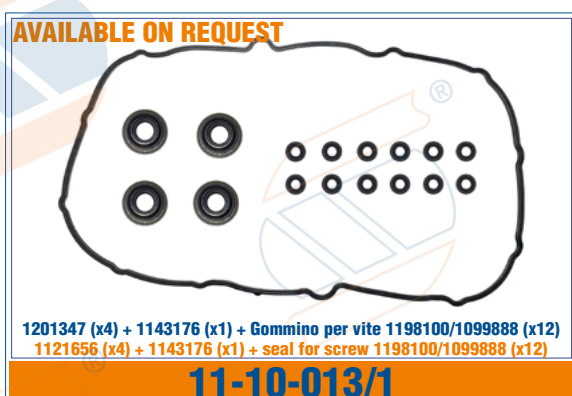
### APPLICATION/ORIGINAL OEMS



Injectors FORD DELPHI

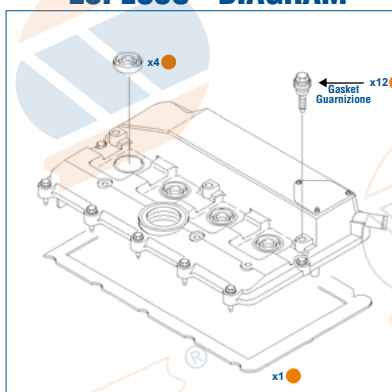
Example: R00101Z / 1152989

Engines:  
Mondeo 2001-2002, 2.0L Duratorq DI CR  
(130PS)



### ESPLOSO - DIAGRAM

### APPLICATION/ORIGINAL OEMS



Injectors FORD DELPHI

Example: R00101Z / 1152989

Engines:  
Mondeo 2001-2002, 2.0L Duratorq DI CR  
(130PS)  
ETC..

(con Guarnizioni Testata)  
(with Cylinder's head Gaskets)

**INJECTOR'S EXTERNAL - CYLINDER HEADS - MANIFOLDS & SPECIAL "GASKET KITS"**  
**ESTERNO INIETTORI - TESTATE CILINDRICHE - COLLETTORI & SPECIALI "GASKET KITS"**



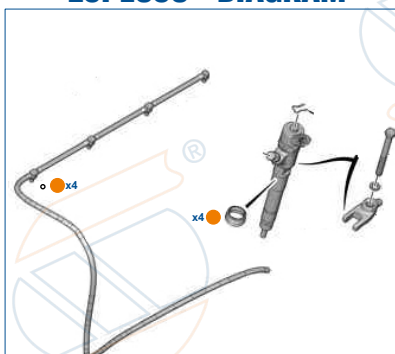
**ESPLOSO - DIAGRAM**

**APPLICATION/ORIGINAL OEMS**



1982.H7 [16 098 485 80] (x4) + F 00V P01 003 (x4)

**11-10-014**



Injectors FIAT PSA BOSCH (PIEZO)

PSA 0445116019 0 445 116 019  
PSA 1984H8

Engines 3.0 HDi - D - Multijet  
Citroen Jumper 3.0 HDi (2006 -)  
Peugeot Boxer 3.0 HDi (2006 -)  
Fiat Ducato Multijet 3.0 D (2006 -)  
Iveco Daily III - IV - V- VI 3.0 D  
etc...

**DUST SEALS & CYLINDER HEAD'S SEALS**  
**PARAPOLVERI & GUARNIZIONI DI TESTATA**



APPL. DENSO TOYOTA ENGINES/INJ.  
DENSO 23256-27010  
SIMILAR TO 23256-27020 23256-30010

**02-24-032**



APPL. FIAT PSA FORD ENGINES/INJ.  
FIAT 9467572689 PSA 1982.F1 1982F1  
FORD 1250976

**02-24-037**



APPL. BOSCH PSA ENGINES/INJ.  
PSA 1982.F7 1982F7  
FORD 1204698 1489333

**02-24-038**



APPL. PSA BOSCH ENGINES (PIEZO INJ.)  
PSA 1982.E0 1982E0

**02-24-039**



APPL. FIAT PSA BOSCH ENGINES/INJ.  
PSA 1982.G0 1982G0 PSA 1982.F0 1982F0  
FIAT 504239811 IVECO 504032163

**02-24-045**



APPL. PSA VDO FORD VOLVO ENGINES/INJ.  
PSA 1982.G6 1982G6  
FORD 1691340

**02-24-047**



APPL. PSA BOSCH FIAT ENGINES/INJ.  
PSA 1982.G0 1982G0  
FIAT 9634350280

**02-24-048**



APPL. PSA BOSCH ENGINES (PIEZO INJ.)  
PSA 1982.H7 1982H7  
PSA 1609848580

**02-24-051**



APPL. DELPHI FORD JAGUAR ENGINES  
FORD 1102633 FORD 1121656  
FORD YC1Q-6K780-BA FORD YC1Q-6K780-BB  
JAGUAR JDE1256

**02-24-052**

## DUST SEALS & CYLINDER HEAD'S SEALS PARAPOLVERI & GUARNIZIONI DI TESTATA

\*ALL PRODUCTS ARE SUITABLE TO ORIGINAL REFERENCE OR APPLICATION. ALL DIAGRAMS AND IMAGES ARE ONLY USED TO IDENTIFY APPLICATION



APPL. DELPHI FORD ENGINES  
FORD 1201347 FORD 2S7Q-6K780-AA

**02-24-053**

NO EXTERNAL KIT AVAILABLE  
KIT ESTERNO NON DISPONIBILE



APPL. DENSO TOYOTA ENGINES/INJ.  
DENSO 23681-30010 DENSO 23681-0L010

**02-24-054**

NO EXTERNAL KIT AVAILABLE  
KIT ESTERNO NON DISPONIBILE



APPL. AUDI SEAT SKODA VW ENGINES/INJ.  
AUDI/SEAT/SKODA/VW 04L103070A 04L 103 070 A

**02-24-055**



APPL. AUDI SEAT SKODA VW SKODA SEAT PSA ENGINES/INJ.  
AUDI/SEAT/SKODA/VW 03L103070A 03L 103 070 A  
PSA 96 777 594 80 PSA 9677759480  
FORD BK2Q-6K780-BA BK2Q-6K780-BA FORD 1760803

**02-24-056**



APPL. FIAT FORD PSA ENGINES/INJ.  
FORD 1372494 FORD 1434568 FORD 6C1Q-6K780-AB  
PSA 1981.76 PSA 198176  
FIAT 9662222180 ROVER LR019663

**02-24-057**



APPL. PSA FORD BOSCH ENGINES/INJ.  
PSA 1982.99 PSA 198299 PSA 1609848080  
FORD 1314368

**02-21-074**

**NEW VERSION**



APPL. PSA FORD BOSCH ENGINES/INJ.  
PSA 1609848200 PSA 1982A0 PSA 1982.A0  
FORD 1233683 FORD 3M5Q-9R524-AA  
FIAT 9646510980

**02-21-075**



APPL. FIAT OPEL BOSCH ENGINES/INJ.  
Fiat 55205036 Fiat 93188667  
Opel 821972 Opel 3188667

**15-01-295**

**NEW**

**CODICE/OEM  
BN600**

PER ISTRUZIONI INVIARE  
RICHIESTA VIA MAIL  
FOR USER MANUAL  
PLEASE ASK IT VIA MAIL



**STRUMENTO MONTAGGIO 02-21-075  
MOUNTING TOOLS 02-21-075**

VISIT US



# INJECTOR'S EXTERNAL - BRACKETS/FORKS - FIXING SCREWS/NUTS

## ESTERNO INIETTORI - SUPPORTI/FORCELLE - VITERIA/DADI DI FISSAGGIO

NEW

GASKET KIT >>> 11-10-002



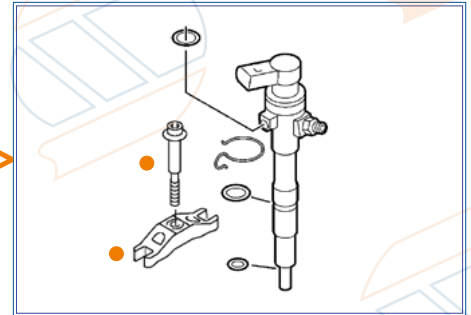
**OEM AUDI/SEAT/SKODA/VW: 03L130216 03L 130 216**  
 APPL. AUDI SEAT SKODA VW ENGINES  
 APPL. VDO INJECTORS: A2C59513554, 03L 130 277B, 03L 130 277S

12-13-001



**OEM AUDI/SEAT/SKODA/VW: WHT003187 - WHT 003 187**  
 APPL. AUDI SEAT SKODA VW ENGINES  
 APPL. VDO INJECTORS: A2C59513554, 03L 130 277B, 03L 130 277S

12-06-108



GASKET KIT >>> 11-23-998 & 11-23-998/1



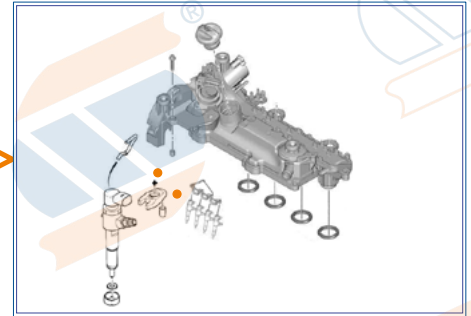
**OEM PSA: 198275 - 1982.75 - 1982 75**  
**OEM FORD: 1148066**  
 APPL. PSA/FORD 1.4 HDI ENGINES  
 APPL. PSA-FORD-VDO INJECTORS / PSA-BOSCH INJECTORS

12-13-002



**OEM PSA: 198273 - 1982.73 - 1982 73**  
**OEM FORD: 1488994**  
 APPL. PSA/FORD 1.4 HDI ENGINES  
 APPL. PSA-FORD-VDO INJECTORS / PSA-BOSCH INJECTORS

12-06-111



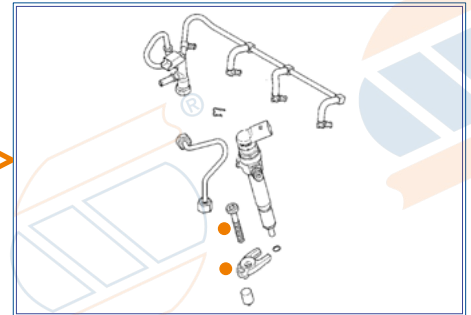
**OEM RENAULT: 8200433867**  
 APPL. RENAULT/DACIA/NISSAN 1.5 DCI ENGINES

12-13-003



**OEM RENAULT: 8200548368**  
 APPL. RENAULT/DACIA/NISSAN 1.5 DCI ENGINES

12-06-109



GASKET KIT >>> 11-10-009 & 11-10-009/2 & 11-10-009/3



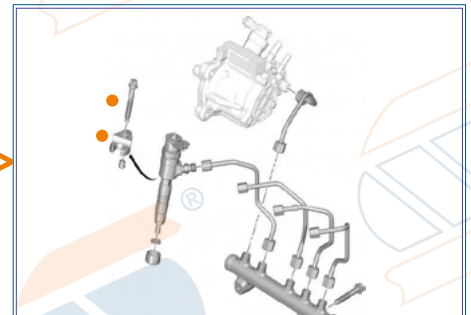
**OEM PSA: Ex 1982.G3 (Fino a OPR 13013)**  
**9801927080 (da OPR 13014) - 1613181280**  
 APPL. PSA/FORD/VOLVO 1.6 HDI ENGINES  
 APPL. PSA-OPEL-BOSCH INJECTORS / FORD-VOLVO-VDO INJECTORS

12-13-004



**OEM PSA: 1982.G5 1982G5 1982 G5**  
 APPL. PSA/FORD/VOLVO 1.6 HDI ENGINES  
 APPL. PSA-OPEL-BOSCH INJECTORS / FORD-VOLVO-VDO INJECTORS

12-06-110



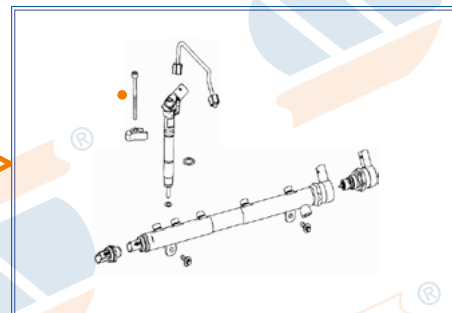
SPRINTER, CLASSE C ETC..

M6x79



**OEM MERCEDES: A0009902907 - A 000 990 29 07**  
 APPL. OM646.71 - OM646.980 - 646.9 ETC.. CDI 2.0/2.2 ENGINES  
 APPL. BOSCH/MERCEDES INJECTORS: A6460700300 - A6460701487  
 0 445 115 068 - 0 445 115 069 - 0 445 115 089 - 0 445 115 090 etc...

11-23-196/1



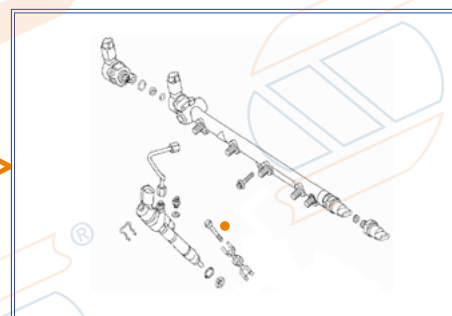
CLASSE A ETC..

M6x87



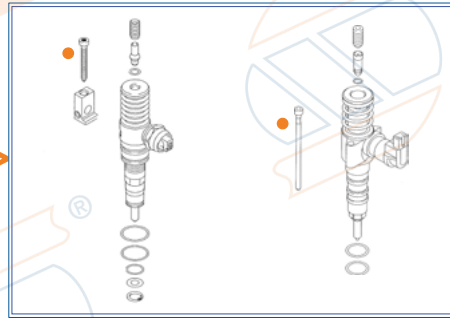
**OEM MERCEDES: A0039900322 - A 003 990 03 22**  
 APPL. OM668.940 - OM668.941 - OM668.942 ETC.. CDI 1.7 ENGINES  
 APPL. BOSCH/MERCEDES INJECTORS: A6680700687 - A6680701287  
 0 445 110 014 - 0 445 110 016 - 0 445 110 115 - 0 445 110 195 etc...

11-23-356/1

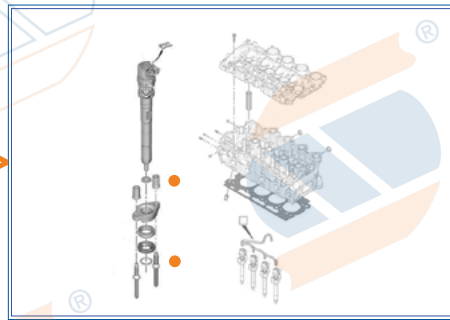


# INJECTOR'S EXTERNAL - BRACKETS/FORKS - FIXING SCREWS/NUTS ESTERNO INIETTORI - SUPPORTI/FORCELLE - VITERIA/DADI DI FISSAGGIO



|   |   |   |
|---|---|---|
| <br><b>M6x88</b> | <br><b>M6x65</b> | <br><b>M6x55</b> |
| OEM VW: 03G 103 385 A<br>WHT 003 179<br>APPL. INJECTORS:<br>VW-VDO-BOSCH                          | OEM VW: 038 103 385 A<br>APPL. INJECTORS:<br>VW-BOSCH   | OEM VW: 070 103 385 A<br>APPL. INJECTORS:<br>VW-BOSCH   |
| <b>11-23-982</b>  | <b>12-06-095</b>  | <b>12-06-096</b>  |



|  |  |
|--|--|
| <b>GASKET KIT &gt;&gt;&gt; 11-23-999 - 11-23-999/2</b>   |  |
|                                       |                                       |
| OEM: PSA 1982.63 198263<br>FORD 1233685<br>APPL. PSA FORD 1.6 TDCI-HDI / DV6 ENGINES<br>APPL. FORD-PSA-BOSCH INJECTORS | OEM: PSA 1982.83 198283<br>FORD 1483821<br>APPL. PSA FORD 1.6 TDCI-HDI / DV6 ENGINES<br>APPL. FORD-PSA-BOSCH INJECTORS |
| <b>10-15-273/1</b>   | <b>10-15-273/2</b>   |




## INJECTOR'S EXTERNAL - FIXING KITS ESTERNO INIETTORI - KIT DI FISSAGGIO

|   |  |
|---|--|
|    |  |
| OEM: RENAULT 8200553118 - 8200489438 - 7701473487<br>NISSAN 0112100QBW - 0112100QJ -<br>0112100QH / OPEL 4431803 - 4404170<br>APPL. RENAULT NISSAN OPEL 2.2/2.5 DCI-CDTI/DTI ENGINES<br>APPL. RENAULT-NISSAN-OPEL-BOSCH INJECTORS |  |
| <b>10-15-272</b>  |  |

|   |  |
|---|--|
|   |  |
| OEM: PSA 198263 / FORD 1233685 (x2) + PSA 198283 / FORD 1483821 (x2)<br>APPL. PSA FORD 1.6 TDCI-HDI / DV6 ENGINES<br>APPL. FORD-PSA-BOSCH INJECTORS |  |
| <b>10-15-273/A</b>  |  |


## INJECTOR'S EXTERNAL - COMPLETE FIXING KITS ESTERNO INIETTORI - KIT DI FISSAGGIO COMPLETO

NEW

|   |  |
|---|--|
|  | 1982.F7 (x1) +<br>1981.84 (x1) +<br>1982.75 (x1) +<br>1982.73 (x1) +<br>1982.77 (x1) +<br>1982.C4 (x1) |
| PSA Engines 1.4 Hdi<br>For (Single) injectors VDO Siemens                           | <b>FOR 1 INJECTOR</b>  |
| <b>13-13-001</b>  |  |

|  |  |
|--|--|
|  | 03L 130 519 (x2) +<br>WHT 000 884 (x2) +<br>03L 130 447 (x2) +<br>03L 130 216 (x1) +<br>WHT 003 187 (x1) |
| VAG Engines 1.6 TDi<br>For (Single) injectors VDO Siemens                            | <b>FOR 2 INJECTORS</b>   |
| <b>13-13-002</b>   |  |

|   |   |
|---|---|
|  | 8200014894 (x1) +<br>8200433867 (x1) +<br>8200548368 (x1) |
| RENAULT Engines 1.5 DCI<br>For (Single) injectors VDO Siemens                       | <b>FOR 1 INJECTOR</b>                                     |
| <b>13-13-003</b>  |   |

|  |   |
|--|---|
|  | 1982.G4 (x1) +<br>1982.G5 (x1) +<br>1982.G6 (x1) +<br>1981.93 (x1) +<br>1981.94 (x1) +<br>1613181280 (x1) |
| PSA Engines 1.6 HDi<br>For (Single) injectors VDO Siemens                            | <b>FOR 1 INJECTOR</b>   |
| <b>13-13-004</b>   |   |